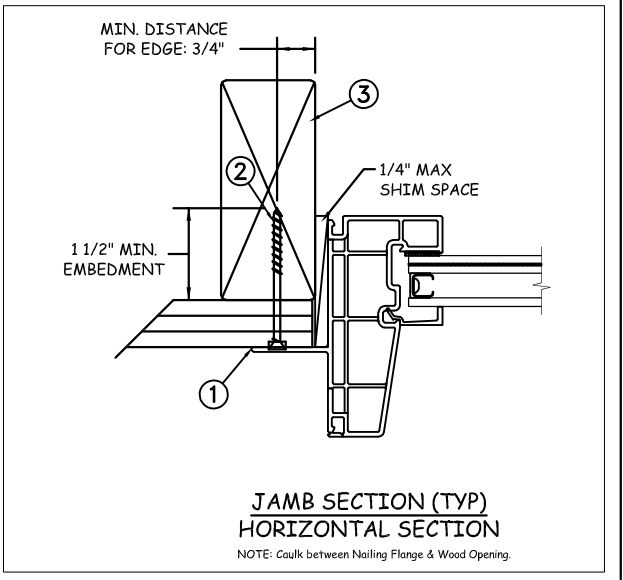


NAIL FIN INSTALLATION



Max Frame	DP RATING	IMPACT
60" x 60"	+50/-55	YES
MISSILE LEVEL C - WZ2		

Installation Notes:

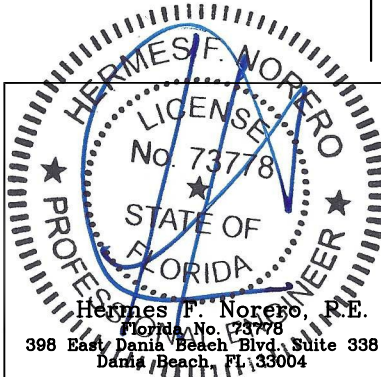
1. Seal flange/frame to substrate. Sill shall be set on a continuous silicone bead of structural grade silicone caulk when no fastener is used to anchor the sill (typical).
2. Use #8 PH or greater fastener through the nail fin with sufficient length to penetrate a minimum of 1 1/2" into the wood framing. For 2X wood frame substrate (min. S.G. = 0.42).
3. Host structure (wood buck, masonry, steel) to be designed and anchored to properly transfer all loads to the structure. The host structure is the responsibility of the architect or engineer of record for the project of installation.

General Notes:

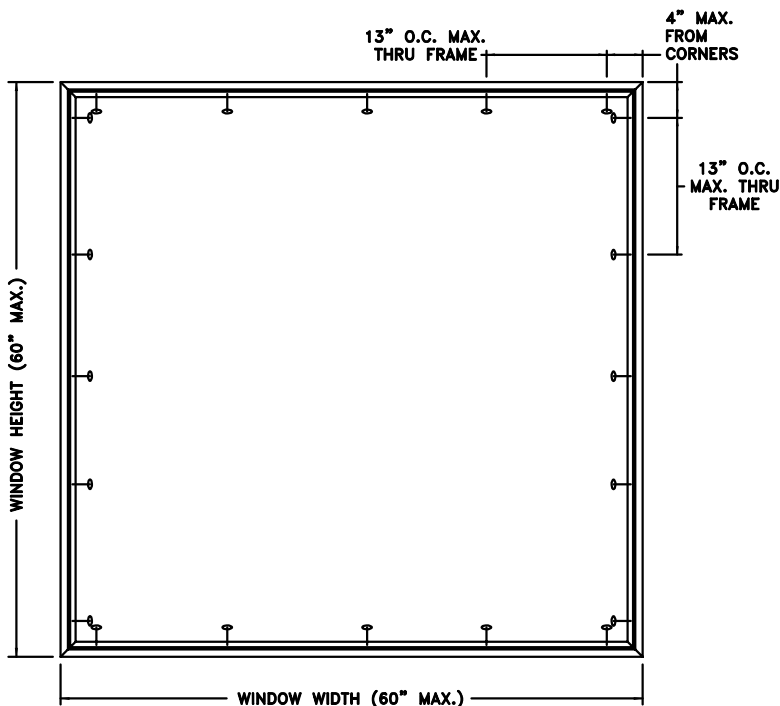
1. The product shown herein is designed, tested and manufactured to comply with the wind load criteria of the adopted International Building Code(IBC), the International Residential Code(IRC), the Florida Building Code(FBC) and the industry requirement for the stated conditions.
2. All glazing shall conform to ASTM E1300.
3. At minimum, glazing shall be 5.0mm annealed - 12.22mm airspace - 2.5mm annealed - 1.52mm PVB Interlayer by Kurraray - 2.5mm annealed insulating glass.
4. Use structural or composite shims where required.

This schedule addresses only the fasteners required to anchor the window to achieve the rated design pressure up to the size limitations noted. It is not intended as a guide to the installation process and does not address the sealing consideration that may arise in different wall conditions. For the complete installation procedure, see the instructions packaged with the window or go to www.jeld-wen.com.

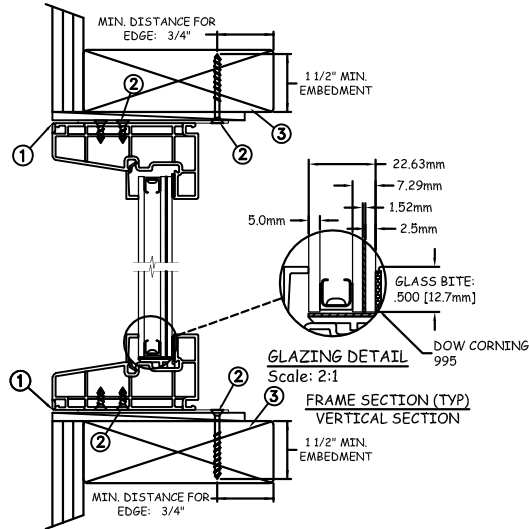
DISCLAIMER:
This drawing and its contents are confidential and are not to be reproduced or copied in whole or in part or used or disclosed to others except as authorized by JELD-WEN Inc.



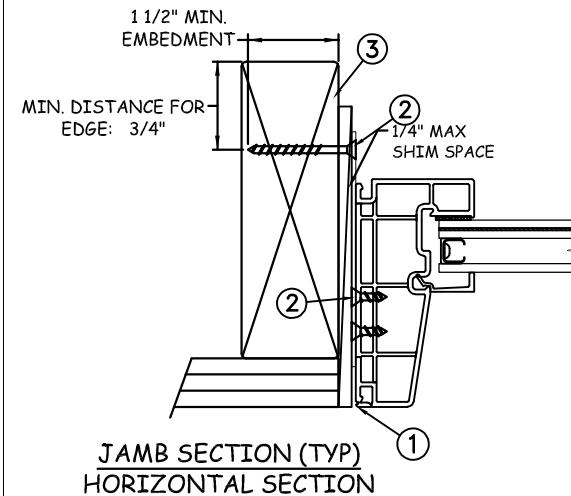
PROJECT ENGINEER: ---	DATE: 7/11/18	JELD WEN	3737 Lakeport Blvd Klamath Falls, OR. 97601 Phone: (800) 535-3936	
DRAWN BY: A. MCMILLAN	SCALE: NTS			
CHECKED BY: J. GOOSSEN	TITLE: Premium Vinyl Fixed with Sloped Sill Impact Window - WZ2			
APPROVED BY: J. GOOSSEN				
RECORD No.: D014630				
REPORT No.: 110-17-037	PLANT NAME AND LOCATION:	CAD DWG. No.: PremVinylFixSS Cert	REV: A	SHEET 1 OF 4



TYPICAL ELEVATION WITH FASTENER SPACING



MASONRY STRAP INSTALLATION



Max Frame	DP RATING	IMPACT
60" x 60"	+50/-55	YES
MISSILE LEVEL C - WZ2		

Installation Notes:

1. Seal flange/frame to substrate. Sill shall be set on a continuous serpentine bead of structural grade silicone caulk when no fastener is used to anchor the sill (typical).
2. Install masonry straps to vinyl frame using (4)#8 x 1/2" PH corrosion resistant fasteners. Bend straps around buck and secure with (2)#8 fastener thru masonry strap into wood buck. Fasteners must be long enough to penetrate at least 1 1/2" into framing members. For 2X wood frame substrate (min. S.G. = 0.42)
3. Host structure (wood buck, masonry, steel) to be designed and anchored to properly transfer all loads to the structure. The host structure is the responsibility of the architect or engineer of record for the project of installation.

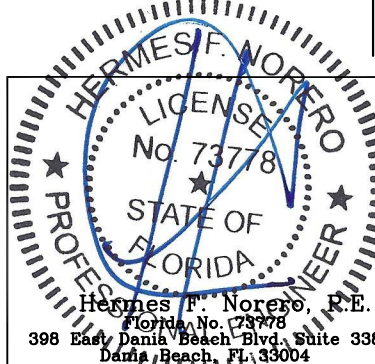
General Notes:

1. The product shown herein is designed, tested and manufactured to comply with the wind load criteria of the adopted International Building Code(IBC), the International Residential Code(IRC), the Florida Building Code(FBC) and the industry requirement for the stated conditions.
2. All glazing shall conform to ASTM E1300.
3. At minimum, glazing shall be 5.0mm annealed - 12.22mm airspace - 2.5mm annealed - 1.52mm PVB Interlayer by Kurraray - 2.5mm annealed insulating glass.
4. Use structural or composite shims where required.

This schedule addresses only the fasteners required to anchor the window to achieve the rated design pressure up to the size limitations noted. It is not intended as a guide to the installation process and does not address the sealing consideration that may arise in different wall conditions. For the complete installation procedure, see the instructions packaged with the window or go to www.jeld-wen.com.

DISCLAIMER:

This drawing and its contents are confidential and are not to be reproduced or copied in whole or in part or used or disclosed to others except as authorized by JELD-WEN Inc.



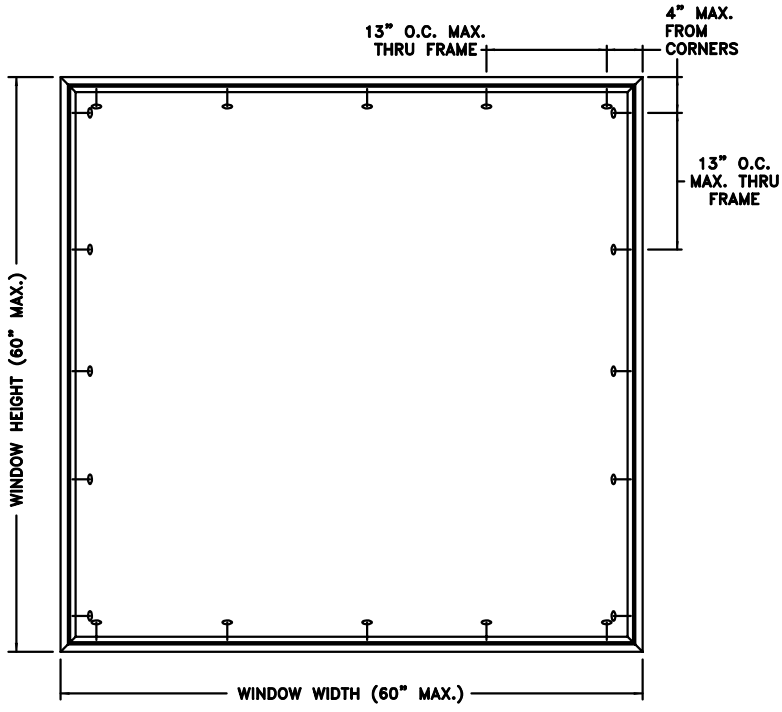
PROJECT ENGINEER: ---	DATE: 7/11/18
DRAWN BY: A. MCMILLAN	SCALE: NTS
CHECKED BY: J. GOOSSEN	TITLE: Premium Vinyl Fixed with Sloped Sill Impact Window - WZ2
APPROVED BY: J. GOOSSEN	
RECORD No.: D014630	
REPORT No.: 110-17-037	PLANT NAME AND LOCATION:



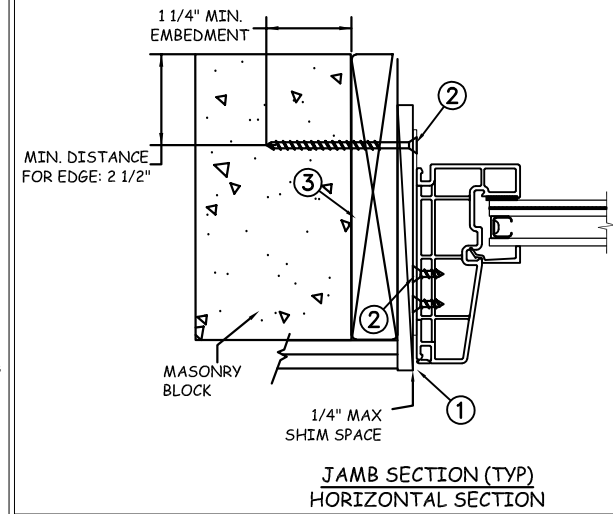
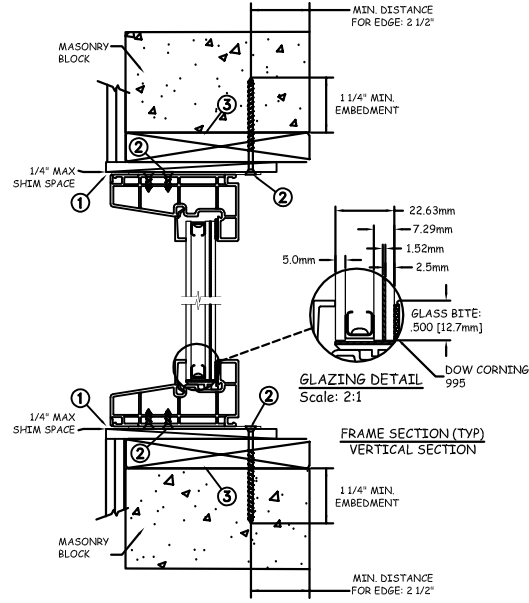
3737 Lakeport Blvd
Klamath Falls, OR. 97601
Phone: (800) 535-3936

CAD DWG. No.: PremVinylFixSS Cert	REV: A	SHEET 2 OF 4
--------------------------------------	-----------	-----------------

MASONRY INSTALLATION



TYPICAL ELEVATION WITH FASTENER SPACING



Max Frame	DP RATING	IMPACT
60" x 60"	+50/-55	YES
MISSILE LEVEL C - WZ2		

Installation Notes:

1. Seal flange/frame to substrate. Sill shall be set on a continuous serpentine bead of structural grade silicone caulk when no fastener is used to anchor the sill (typical).
2. Install masonry straps to vinyl frame using (4)#8 x 1/2" PH corrosion resistant fasteners . Bend straps around buck and secure with (2) 3/16" Tapcon fastener through masonry strap into concrete or masonry. Fasteners must be long enough to penetrate at least 1 1/2" into concrete or masonry with min edge distance of 2 1/2". For concrete (min. = 3000psi) or masonry (min. = 2000psi) (CMU shall conform to ASTM C90).
3. Host structure (wood buck, masonry, steel) to be designed and anchored to properly transfer all loads to the structure. The host structure is the responsibility of the architect or engineer of record for the project of installation.

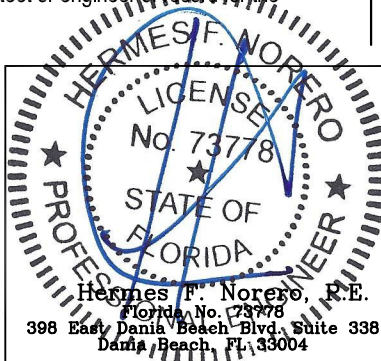
This schedule addresses only the fasteners required to anchor the window to achieve the rated design pressure up to the size limitations noted. It is not intended as a guide to the installation process and does not address the sealing consideration that may arise in different wall conditions. For the complete installation procedure, see the instructions packaged with the window or go to www.jeld-wen.com.

DISCLAIMER:

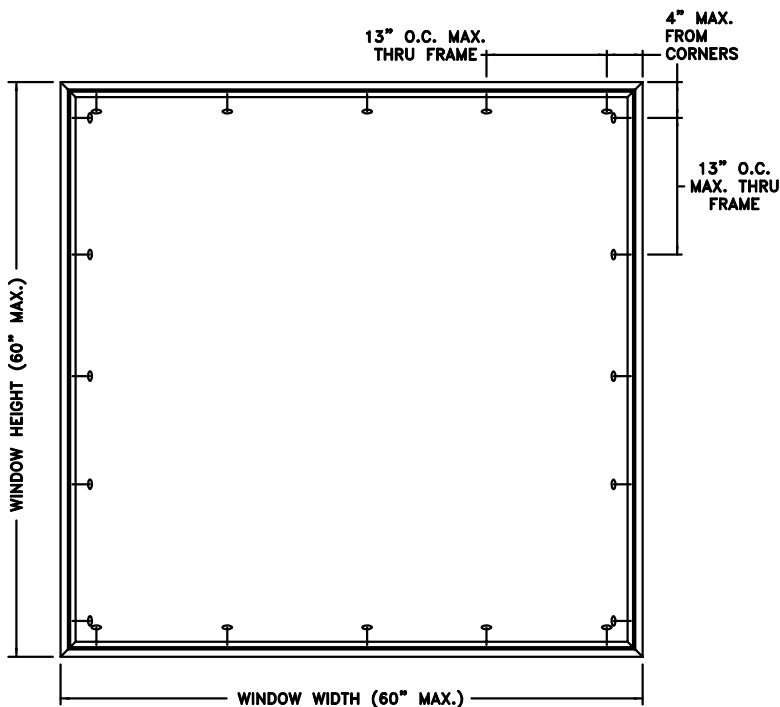
This drawing and its contents are confidential and are not to be reproduced or copied in whole or in part or used or disclosed to others except as authorized by JELD-WEN Inc.

General Notes:

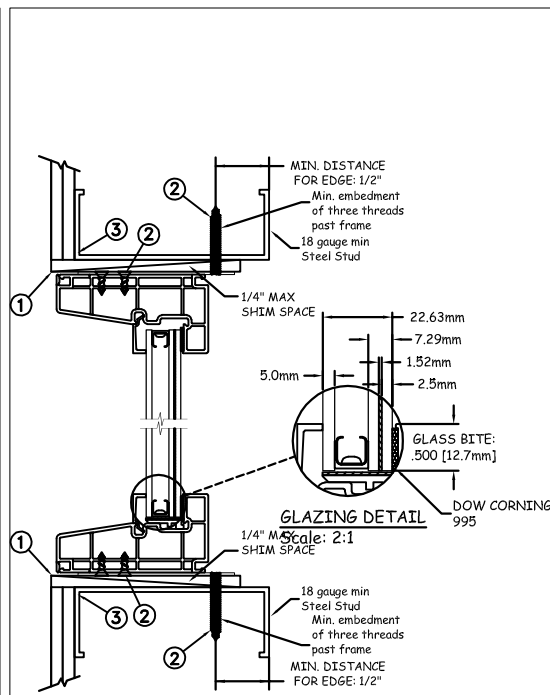
1. The product shown herein is designed, tested and manufactured to comply with the wind load criteria of the adopted International Building Code(IBC), the International Residential Code(IRC), the Florida Building Code(FBC) and the industry requirement for the stated conditions.
2. All glazing shall conform to ASTM E1300.
3. At minimum, glazing shall be 5.0mm annealed - 12.22mm airspace - 2.5mm annealed - 1.52mm PVB Interlayer by Kurraray - 2.5mm annealed insulating glass.
4. Use structural or composite shims where required.



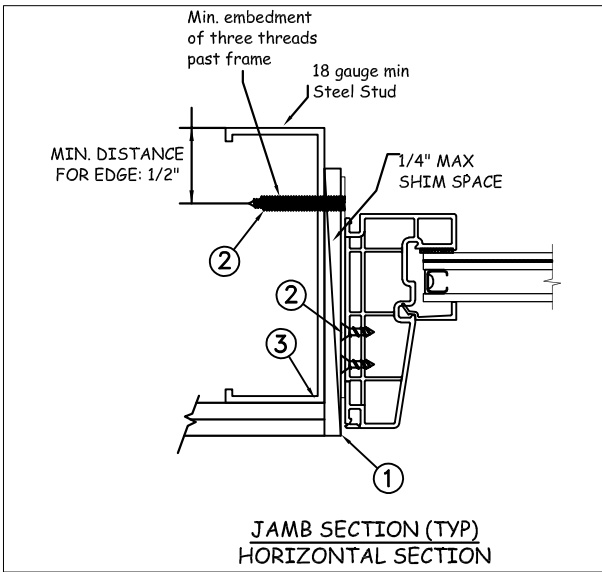
PROJECT ENGINEER: ---	DATE: 7/11/18	JELD WEN	3737 Lakeport Blvd Klamath Falls, OR. 97601 Phone: (800) 535-3936	
DRAWN BY: A. MCMILLAN	SCALE: NTS			
CHECKED BY: J. GOOSSEN	TITLE: Premium Vinyl Fixed with Sloped Sill Impact Window - WZ2			
APPROVED BY: J. GOOSSEN	RECORD No.:			
	D014630			
REPORT No.:	PLANT NAME AND LOCATION:	CAD DWG. No.:	REV:	SHEET
110-17-037		PremVinylFixSS Cert	A	3 OF 4



TYPICAL ELEVATION WITH FASTENER SPACING



STEEL INSTALLATION



Max Frame	DP RATING	IMPACT
60" x 60"	+50/-55	YES
MISSILE LEVEL C - WZ2		

Installation Notes:

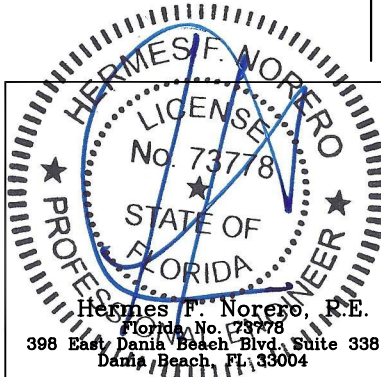
1. Seal flange/frame to substrate. Sill shall be set on a continuous serpentine bead of structural grade silicone caulk when no fastener is used to anchor the sill (typical).
2. Install masonry straps to vinyl frame using (4)#8 x 1/2" PH corrosion resistant fasteners . Bend straps around buck and secure with (2)#8 TEK self Tapping screws fastener into steel. Fasteners must be long enough to achieve minimum penetration of three threads past frame thickness. Steel substrate min. 18 ga., fy = 33ksi.
3. Host structure (wood buck, masonry, steel) to be designed and anchored to properly transfer all loads to the structure. The host structure is the responsibility of the architect or engineer of record for the project of installation.

General Notes:

1. The product shown herein is designed, tested and manufactured to comply with the wind load criteria of the adopted International Building Code(IBC), the International Residential Code(IRC), the Florida Building Code(FBC) and the industry requirement for the stated conditions.
2. All glazing shall conform to ASTM E1300.
3. At minimum, glazing shall be 5.0mm annealed - 12.22mm airspace - 2.5mm annealed - 1.52mm PVB Interlayer by Kurraray - 2.5mm annealed insulating glass.
4. Use structural or composite shims where required.

This schedule addresses only the fasteners required to anchor the window to achieve the rated design pressure up to the size limitations noted. It is not intended as a guide to the installation process and does not address the sealing consideration that may arise in different wall conditions. For the complete installation procedure, see the instructions packaged with the window or go to www.jeld-wen.com.

DISCLAIMER:
This drawing and its contents are confidential and are not to be reproduced or copied in whole or in part or used or disclosed to others except as authorized by JELD-WEN Inc.



PROJECT ENGINEER: ---	DATE: 7/11/18	JELD WEN	3737 Lakeport Blvd Klamath Falls, OR. 97601 Phone: (800) 535-3936	
DRAWN BY: A. MCMILLAN	SCALE: NTS		Premium Vinyl Fixed with Sloped Sill Impact Window - WZ2	
CHECKED BY: J. GOOSSEN	TITLE:			
APPROVED BY: J. GOOSSEN				
RECORD No.: D014630	PLANT NAME AND LOCATION:	CAD DWG. No.: PremVinylFixSS Cert	REV: A	SHEET 4 OF 4
REPORT No.: 110-17-037				